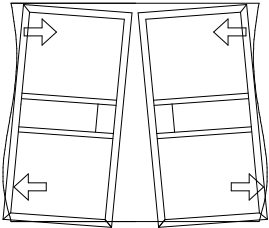
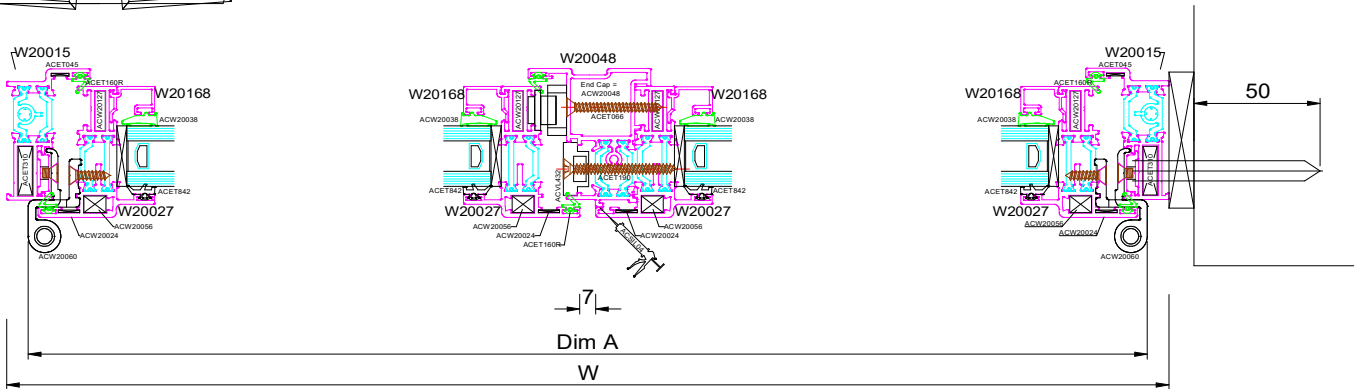


Check for outerframe twist bow

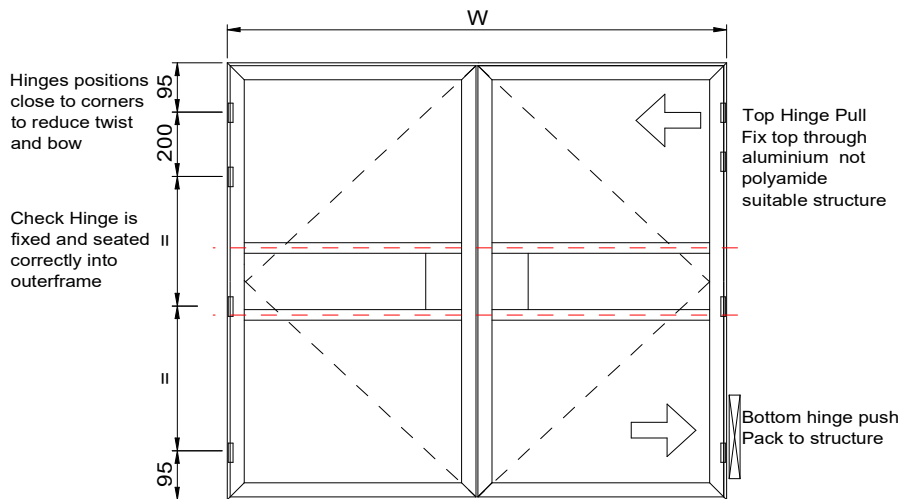


Meeting Style gap on Heritage is 7mm nominal.

The gap is affected by the straightness of the outerframe
Check if frame bending and twist by comparing distance between the hinges Dim A.



Door Installation BS8213-4



Doors

Door Sashes:

- Maximum Width: 900mm
- Minimum Width: 600mm
- Maximum Height: 2100mm
- Minimum Height: 1000mm (leaving 3 locking points)
- Maximum Weight: 60kg

Fixings

Fixings should be sized to securely penetrate at least 50 mm for doors into brick, block, concrete or masonry, or 25 mm into timber framing unless equivalent demonstrable provision can be made by other means.

Fixings at least 600mm crs

Over-tightening of fixings can lead to distortion and should be avoided.

Frame Installation Packers

Due to the dynamic forces experienced when doors are opened and closed, it is good practice on doorsets to use additional packers adjacent to hinge and locking points to provide additional support and security.

Frame installation packers should be used adjacent to fixing positions to:

- a) prevent outer frame distortion during installation and use;
- b) ensure that the frame remains centralized, level and square;
- c) allow for thermal movement of the frame;
- d) assist in withstanding wind loadings.

Packers should normally be left in situ and concealed as part of the completed installation.